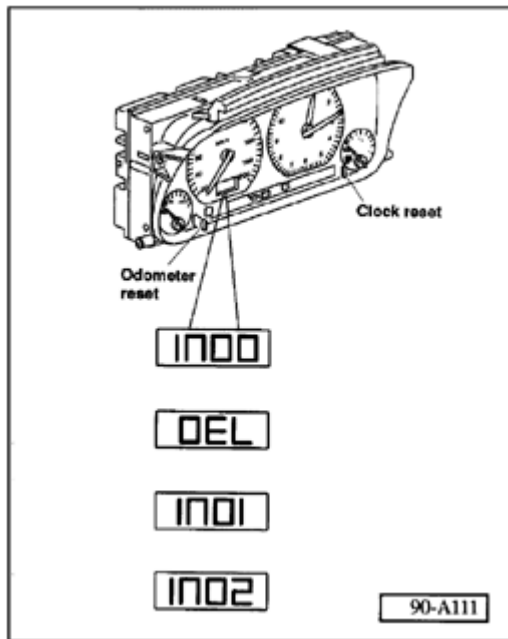


## Service Reminder Indicator (SRI), general information

A Service Reminder Indicator (SRI) -F27- was included on Golf, GTI, Jetta and Cabrio vehicles up to m.y. 1995. The SRI indicates when scheduled vehicle service and maintenance is necessary.



▲ The SRI appears in the odometer display window below the speedometer. When the ignition is switched on, one of the following displays will appear for approx. three seconds indicating the service required:

- ◆ IN 00 - No service necessary
- ◆ OEL - 7500 mile (12,000 km) or 6-month engine oil change
- ◆ IN 01 - 15,000 mile (24,000 km) or 12-month maintenance (inspection service)
- ◆ IN 02 - 30,000 mile (48,000 km) or 24-month maintenance (inspection service)

After a service has been performed on the vehicle, each affected display must be reset individually. For example, if the 30,000 mile maintenance has just been completed, the OEL, IN 01 and IN 02 displays must be reset ⇒ Service Reminder Indicator (SRI), resetting page ⇒ [Page 90-18](#) .

The SRI uses a hard permanent-type memory and will not be erased if the battery is disconnected.

### Service Reminder Indicator (SRI), resetting

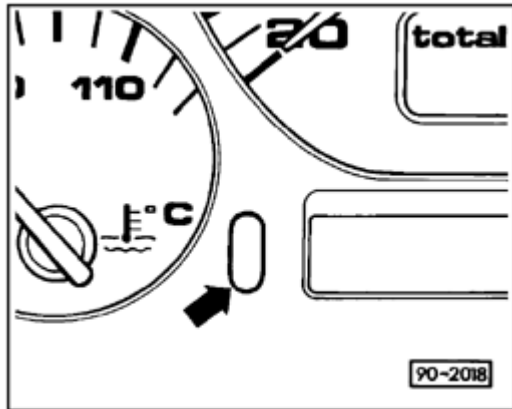
After performing the specified maintenance, reset the Service Reminder Indicator (SRI) -F27- displays according to the following table:

<b>Service interval</b>	<b>SRI displays to reset</b>
7500 mile (12,000 km) or 6-month engine oil change	<b>OEL</b>
15,000 mile (24,000 km) or 12-month maintenance	<b>OEL</b> <b>IN01</b>
22,500 mile (36,000 km) or 18-month engine oil change	<b>OEL</b>
30,000 mile (48,000 km) or 24-month maintenance	<b>OEL</b> <b>IN01</b> <b>IN02</b>
37,500 mile (60,000 km) or 30-month engine oil change	<b>OEL</b>
45,000 mile (72,000 km) or 36-month maintenance	<b>OEL</b> <b>IN01</b>

Volkswagen Golf, GTI, Jetta 93-99, Cabrio 95 - Electrical Equipment

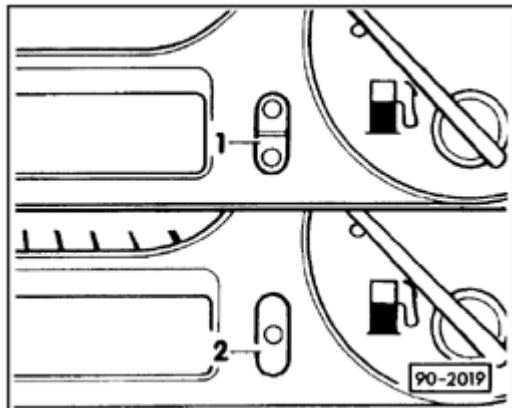
52,500 mile (84,000 km) or 42-month engine oil change	<b>OEL</b>
60,000 mile (96,000 km) or 48-month maintenance	<b>OEL</b> <b>IN01</b> <b>IN02</b>
etc.	etc.

To reset the SRI displays:



A

- Switch ignition ON.
  - Press and hold odometer reset button (arrow) located below speedometer.
  - Switch ignition OFF and release odometer reset button.
- "OEL" will now appear in SRI display



A

- Press and hold lower digital clock reset button -1- or analog clock reset -2-, until five dashes (-----) appear in display.
- OEL SRI is now reset for 7500 miles (12,000 km) or 6 months, whichever comes first

Once OEL is reset, the other displays can be reset the same way without switching the ignition on and off again.

- Press odometer reset button to proceed to IN01 display (15,000 mile maintenance) and reset using clock reset button.
- If necessary, repeat procedure to reset IN02 (30,000 mile maintenance) display.

To escape reset mode:

- Switch ignition ON; when "IN01" is displayed, switch ignition OFF.

## Service Reminder Indicator (SRI), programming

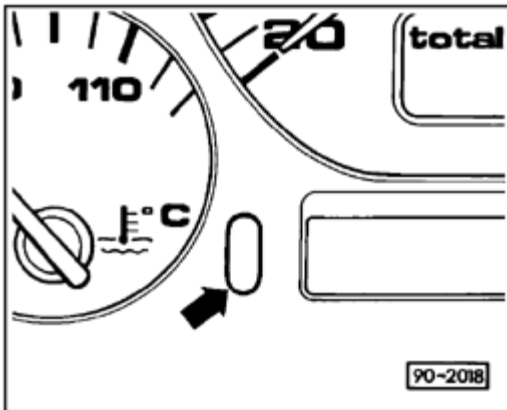
If the instrument cluster is replaced, the Service Reminder Indicator (SRI) -F27- must be programmed so that the correct displays will appear at the appropriate mileage and time intervals.

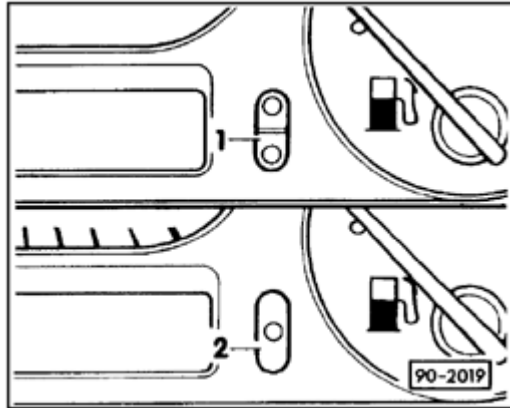
### **Note:**

*Examples with an odometer displaying miles are used to illustrate the programming steps. The procedure is the same for vehicles with odometers displaying kilometers.*

To program SRI displays:

- Switch ignition ON.
- Press and hold odometer reset button (arrow).





A

- While holding odometer reset button, press lower digital clock reset button -1- or analog clock reset button -2-, and release both buttons.

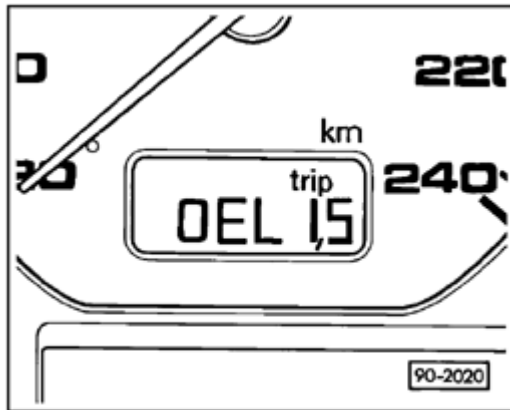
The programming mode will be activated and "OEL1.S" (distance counter) will be displayed

**Note:**

*The ".S" at the end of the display means the system is in the setting/programming mode.*

### Service Reminder Indicator (SRI) display/function

SRI programming display	Counter function
OEL1.S	Distance counter (miles/km) for engine oil change
OEL2.S	Time counter for engine oil change every 6 months
IN01.S	Time counter for maintenance every 12 months
IN02.S	Distance counter (miles/km) for maintenance every 30,000 miles (48,000 km)



A

- With "OEL1.S" indicated on display, press lower digital clock reset button or analog clock reset button.

7500 (miles) or 12,000 (km) indicated on display

Distance can now be set for the next oil change.

#### Example:

The instrument cluster is replaced on a 4 month old vehicle with 5000 miles. The 5000 accumulated miles must be subtracted from the displayed mileage setting of 7500. The new mileage setting should read 2500 (7500 - 5000 = 2500).

## Volkswagen Golf, GTI, Jetta 93-99, Cabrio 95 - Electrical Equipment

- Press lower digital clock reset button or analog clock reset button to decrease mileage in intervals of 500 until correct setting is displayed.

After OEL1.S distance counter is set correctly:

- Press odometer reset button.

"OEL2.S" (time counter) indicated on display

- Press lower digital clock reset button or analog clock reset button.

"6" (months) indicated on display

Time can now be set for the next oil change.

**Example:**

In the previous example, the instrument cluster was replaced on a 4 month old vehicle. The accumulated time of 4 months must be subtracted from the displayed setting of 6. The new time setting should read 2 ( $6 - 4 = 2$ ).

- Press lower digital clock reset button or analog clock reset button to decrease time setting until correct setting is displayed.

After OEL2.S time counter is set correctly:

- Press odometer reset button.

"IN01.S" (time counter) indicated on display

- Press lower digital clock reset button or analog clock reset button.

"12" (months) indicated on display

Time can now be set for the next maintenance interval.

**Example:**

In the previous example, the instrument cluster was replaced on a 4 month old vehicle. The accumulated time of 4 months must be subtracted from the above displayed setting of 12. The new time setting should read 8 (12 - 4 = 8).

- Press lower digital clock reset button or analog clock reset button to decrease time setting until correct setting is displayed.

**Note:**

*The IN01.S display (usually associated with the 15,000 mile/24,000 km maintenance) is programmed by months only (not distance) and uses the distance counter from the OEL 1.S (7500 mile/12,000 km oil change) which was set previously.*

After IN01.S time counter is set correctly:

- Press odometer reset button.

"IN02.S" (distance counter) indicated on

display

- Press lower digital clock reset button or analog clock reset button.

30,000 (miles) or 48,000 (km) indicated on display

Distance can now be set for next 30,000 mile (48,000 km) maintenance interval.

**Example:**

In the previous example, the 5000 accumulated miles must be subtracted from the above displayed mileage setting of 30,000. The new mileage setting should read 25,000 (30,000 - 5000 = 25,000).

- Press lower digital clock reset button or analog clock reset button to decrease mileage setting in intervals of 500 until correct setting is displayed.

**Note:**

*The IN02.S display is programmed by distance only (not time) and uses the time counter from the IN01.S (12 month maintenance) which was set previously.*

After IN02.S time counter is set correctly:

- Switch ignition OFF.

SRI programming is stored